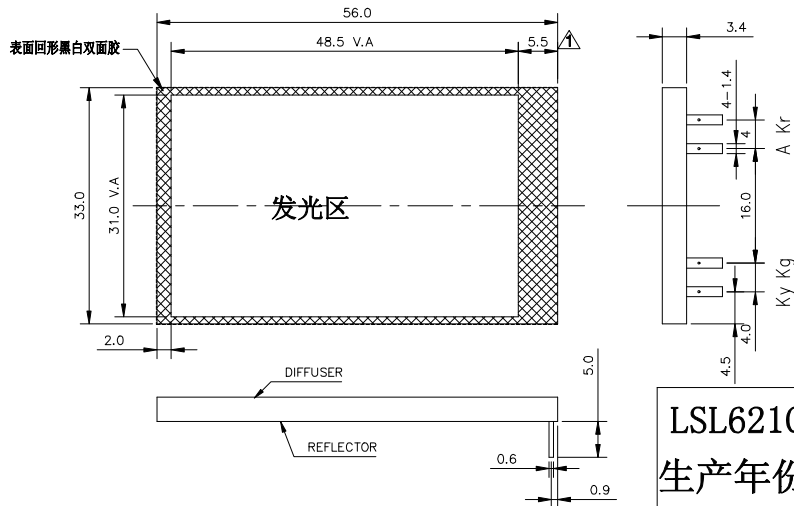


1. 结构尺寸 MECHANICAL OUTLINE

(未注尺寸公差 specified Tolerances is:) .xx ± 0.3
UNIT: mm

COLOR : RGY
颜色 : RGY

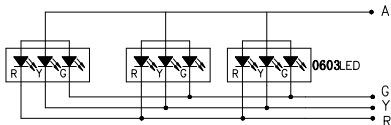


LSL621C-07
生产年份和月份

喷码

2. 电路图 CIRCUIT DIAGRAM (LED)

3X3 (共)



NOTE:
1. () : REFERENCE DIMENSION.
2. ▽ : SPECIAL CHARACTERISTIC.

注意防静电

3. 保存和焊接条件 STORAGE & SOLDERING CONDITIONS:

• Store with care. Storing the units in bad condition will cause the reflector sheet and decrease its adhesive power. Storage The products under the condition: temperature (25°C ±10°C) and humidity (65%RH±20%RH) our recommendation.

• 注意保存. 保存条件不好时会降低反光膜 (扩散膜) 与导光片(反射壳)的粘附力.
推荐保存条件为: 温度 25°C±10°C
湿度 65%RH±20%RH

| ISSUE 标识 | AMENDMENT 改正内容 | Date: 日期 | DESIGN: 设计 |
|----------|----------------|----------|-----------------|
| ▲ | 遮光区尺寸由4.5改为5.5 | 180709 | CHECKED: 检查 |
| | | | COUNTERSIGN: 会签 |
| | | | APPROVED: 批准 |

Drawing No: 图号: LSL621.2.01
REV: 版本: C1

- The Soldering Temperature is 260±5°C and Soldering Time should be less than 3 sec, and soldering iron power should be less than 30W.
- The soldering point should be farther than 1.6mm from body .

- 焊接温度 260°C±5°C, 焊接时间小于3秒 烙铁功率小于30W.
- 焊接点应离产品实体大于1.6mm .

4. 极限参数 ABSOLUTE MAXIMUM RATINGS

(除非特别说明, 环境温度 Tamb=25°C, specified, The Ambient temperature Ta=25°C)

| 项目 Item | 符号 Symbol | 条件 Conditions | 值 Rating | 单位 Unit |
|--|-----------|---|-------------------------|---------|
| * 极限直流正向电流 Absolute maximum forward current | Ifm | | R 60 G 75 Y 60 | mA |
| * 脉冲驱动时极限正向电流 Peak forward current | Ifp | 1 msec 脉冲, 1/10 占空比 1 msec Plus 10% Duty Cycle | R 180 G 225 Y 180 | mA |
| 反向电压 Reverse Voltage | Vr | | R 5 G 5 Y 5 | V |
| * 极限功耗 Power dissipation | Pd | | R 132 G 225 Y 132 | mW |
| 工作温度 Operating Temperature Range | Topr | | -20~+70 | °C |
| 贮存温度 Storage Temperature Range | Tstg | | -30~+80 | °C |

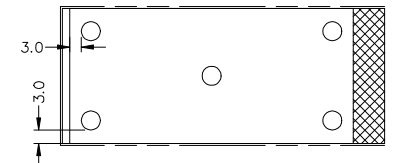
5. 电、光特性 ELECTRICAL-OPTICAL CHARACTERISTICS

(除非特别说明, 环境温度 Tamb=25°C, specified, The Ambient temperature Ta=25°C)

| 项目 Item | 符号 Symbol | 最小值 min. | 典型值 typ. | 最大值 max. | 单位 Unit | 测定条件 Condition |
|-----------------------------------|-----------|---------------------------|-------------------|---------------------|-------------------|---------------------------|
| 正向电压 Forward Voltage | Vf | R 1.7 G 2.5 Y 1.7 | 1.9 2.8 1.9 | 2.2 3.0 2.2 | V | If= R 30 G 30A Y 30 |
| 反向电流 Reverse Current | Ir | R - G - Y - | - | 30 30 30 | μA | Vr= R 5 G 5 V Y 5 |
| 主波长 Dominant wave length | λD | - | - | - | nm | If= R 30 G 30A Y 30 |
| 频谱半宽度 Spectral Line Half width | Δλ | R 615 G 515 Y 584.5 | | 625 530 594.5 | nm | If= R 30 G 30A Y 30 |
| * 亮度 Luminance | Lv | | TBD | | cd/m ² | If= R 30 G 30A Y 30 |

* 亮度值是5个测量点的平均值, 亮度最小值比最大值一般大于75%
使用BM-7 亮度色度仪测量, 测量光圈 φ 5 mm. 工作寿命=50000小时
The luminance is the average value of 5 points, and 5
The Lvmin./Lvmax. is more than Typical 75%
The measurement instrument is BM-7 luminance Colorimeter. The aperture is φ mm. 5 lifetime=50000h

615
530
585.5
625
540
594.5



Drawing No: 图号: LSL621.2.02
REV: 版本: C1
STAMP 确认