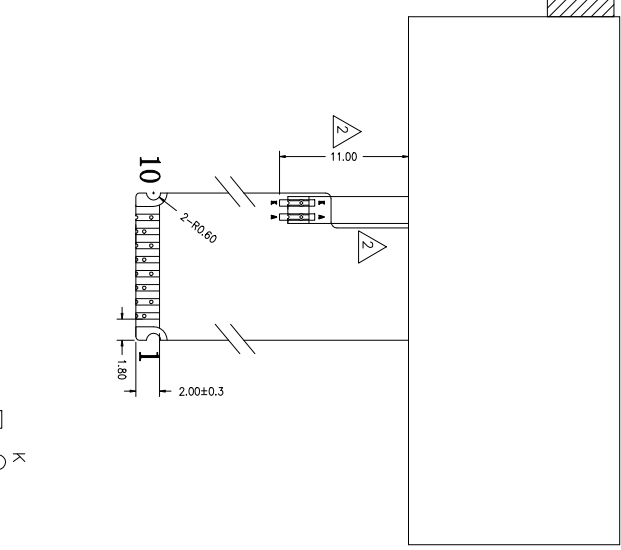
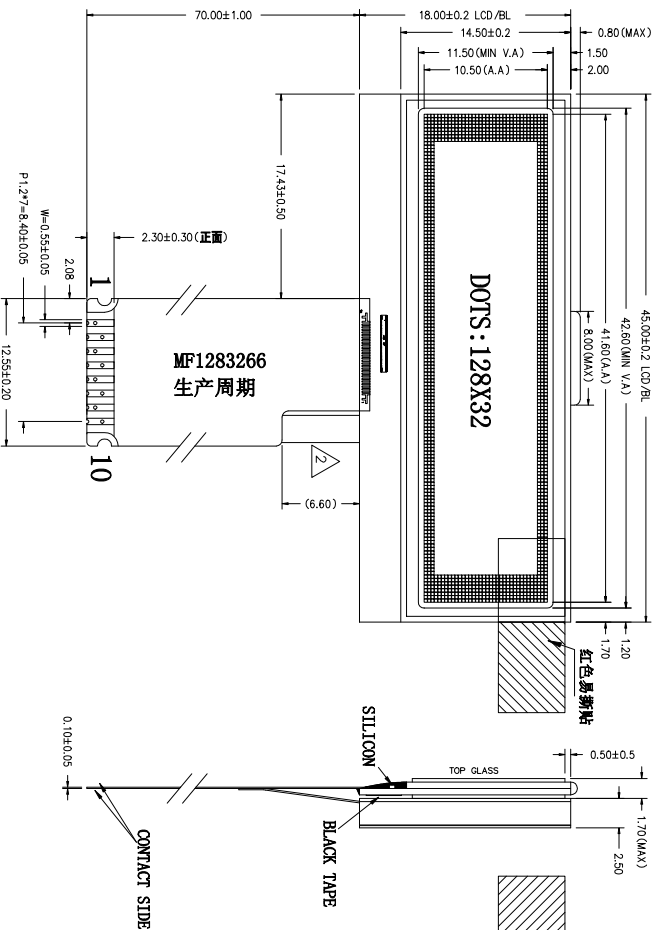
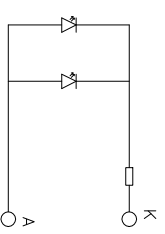
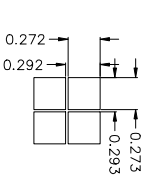


VER.	SYMBOL	AMENDMENT	SIGN	DATE
01	0	按客户要求在做LED上改背光源焊接方式		20180323
02	1	背光灯色由蓝灯改为正白灯		20180326
03	2	更改了FPC外形和背光源盘长度		20180330



PIN	SYMBOL
1	VG
2	GND
3	VDD
4	SDI
5	SCLK
6	A0
7	/RES
8	/CS1
9	LEDA
10	LEDK

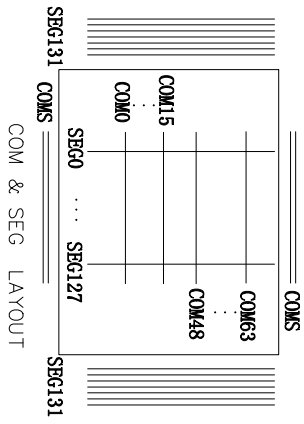


BLACKLIGHT CIRCUIT DIAGRAM (2PCS 正白灯)
LED SUPPLIER

Uniformity : 75%(min)
Conditions : IF=30mA VF=3.0V TYPE



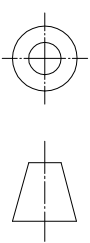
- NOTES:
1. DISPLAY TYPE: FSTN/NEGATIVE
 2. OPERATING VOLTAGE: 7.6V
 3. OPERATING TEMPERATURE: -10°C~60°C
 4. STORAGE TEMPERATURE: -20°C~70°C
 5. DRIVE MODE: 1/3SD, 1/6B
 6. VIEWING DIRECTION: 6:00
 7. POLARIZER TYPE: TRANSMISSIVE
 8. CONNECTOR: COG V1ST3080
 9. CUSTOMER No.:
 10. Unassigned tolerances ±0.20.



深圳市鑫美芝实业有限公司
Shenzhen XinMeiZhi INDUSTRY CO., LTD

DESIGNED BY: MF1283266

CHECKED BY:
APPROVED BY:



VERSION:	NO.	OF	DATE:
3.0	1	1	2018-03-30